



MUGNAINI STYLE: QE 800
 FORMAX STYLE: GE, 800, 0/-45/90/+45
 FORMAX CODE: FGE 111

REINFORCING FIBRE SPECIFICATION

FIBRE TYPES: E-GLASS
 AREAL WEIGHT: 807GSM (±5%)
 SIZE COMPATABILITY: POLYESTER / EPOXY / VINYLESTER
 FIBRE SPECIFICATIONS: 600TEX, 300TEX
 FABRIC WIDTH: 1270MM

STITCHING FIBRE SPECIFICATION

STITCHING THREAD: 78DTEX TEXTURED POLYESTER
 STITCH LENGTH: 2.50 MM
 STITCH TYPE: PILLAR-TRICOT
 STITCHING GAUGE: 6 GG
 STITCH WEIGHT: 7 GSM

PLY CONSTRUCTION

0° PLY

FIBRE SPECIFICATION E-GLASS
 FIBRE TEX: 600TEX
 GAUGE: 8.5 GG
 PLY WEIGHT: 200GSM

-45° PLY

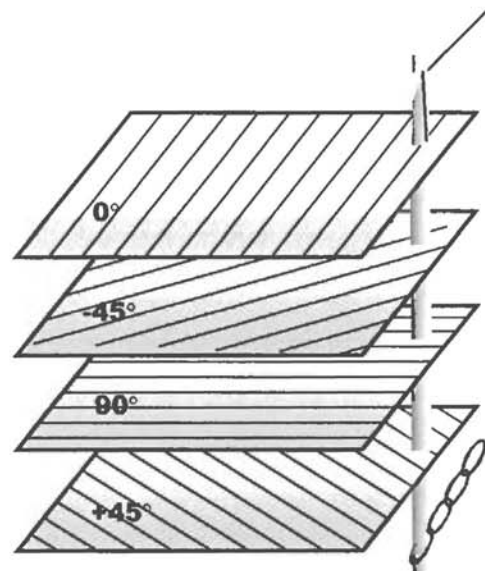
FIBRE SPECIFICATION E-GLASS
 FIBRE TEX: 300TEX
 GAUGE: 12 GG
 PLY WEIGHT: 200GSM

90° PLY

FIBRE SPECIFICATION E-GLASS
 FIBRE TEX: 600TEX
 GAUGE: 8.5 GG
 PLY WEIGHT: 200GSM

+45° PLY

FIBRE SPECIFICATION E-GLASS
 FIBRE TEX: 300TEX
 GAUGE: 12 GG
 PLY WEIGHT: 200GSM



MATERIAL PROPERTIES	0° DIRECTION	-45° DIRECTION	90° DIRECTION	+45° DIRECTION
FIBRE CONTENT (%)	56.4	-	-	-
FLEXURAL STRENGTH (N/MM ²)	395	385	350	364
FLEXURAL MODULUS (KN/MM ²)	11.8	13	10.7	11.3
TENSILE STRENGTH (N/MM ²)	272	234	251	245

This information is for design evaluation only. While it is believed to be correct, it is not guaranteed in any way. Formax stresses that it is the user that shall determine the suitability of a product for its end-use, and the user that assumes all liability in connection therewith.

Distribuito da:
 Mugnaini Group Srl - Via delle Cannelle Z.I. di Montranito - 55040 Stiava - Massarosa (LU)
 Tel. 0584 962344 - Fax 0584 940578 - info@mugnaini.it - www.mugnaini.it