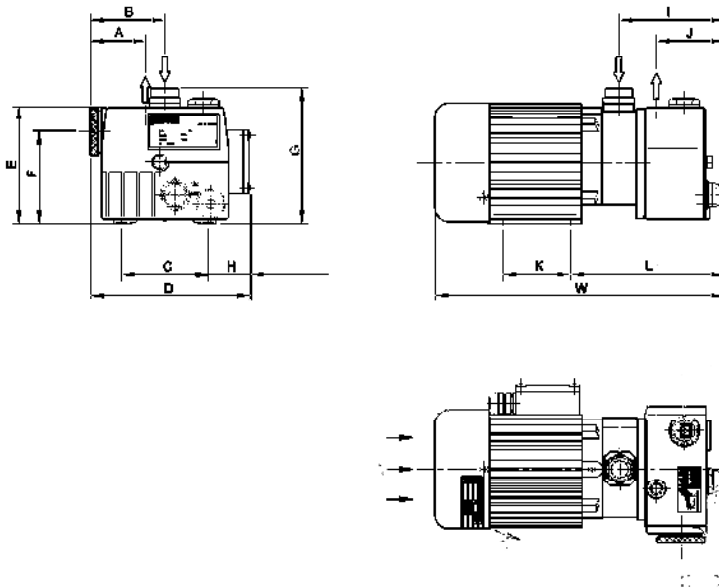
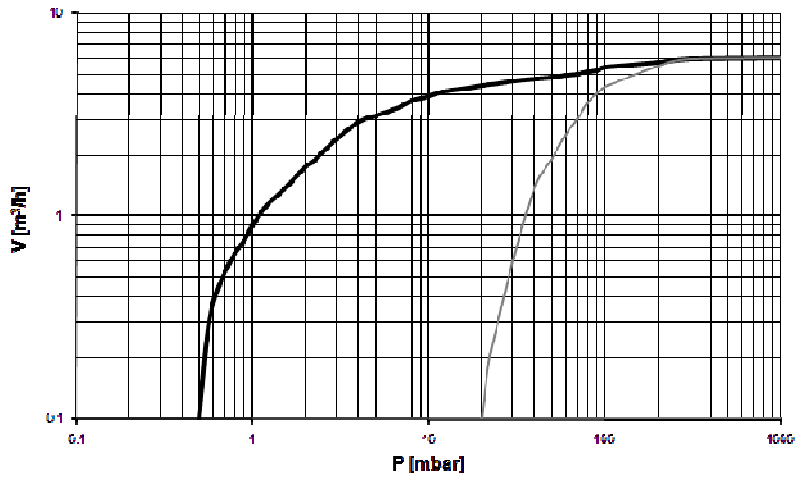


NEW PRODUCT

TYPE MGV-0006



Pumping speed curve



Dimensions	W	D	G	A	B	C	E	F	H	I	J	K	L
MGV-0006	339	188,5	160	64,5	87,5	102	160	108,5	50	123	79	80	179

NEW PRODUCT

Technical Data		TYPE MGV-0006	
		50 Hz	60 Hz
Nominal displacement	m ³ /h	6	7,2
Ultimate pressure N type	mbar	0,5	0,5
L type	mbar	20	20
Motor power	kW	0,37	0,37
Nominal speed	rpm	1430	1720
Noise level	dB(A)	50	52
Operating temperature	°C	65	65
Oil capacity	ltr	0,23	0,23
Weight	kg	12	12
Admissible ambient temp.	°C	10 to 40	10 to 40
Connection Inlet	G(BSP)	¾"	¾"
Outlet	G(BSP)	¼"	¼"

Ordering Information	TYPE MGV-0006	
	50 Hz	60 Hz
N version (0,5 mbar) Single phase motor 230V, 50/60 Hz (IEC)	100.100	100.100
L version (20 mbar) Single phase motor 230V, 50/60 Hz (IEC)	100.200	100.200
Other Voltages/Frequencies	Upon request	
Filling with special oil	Upon request	
Exhaust filter cartridge	01120	
Gasket set	01490	
Maintenance kit	01500	
Pump module	01900	
Inlet dust filter, paper cartridge	01800	